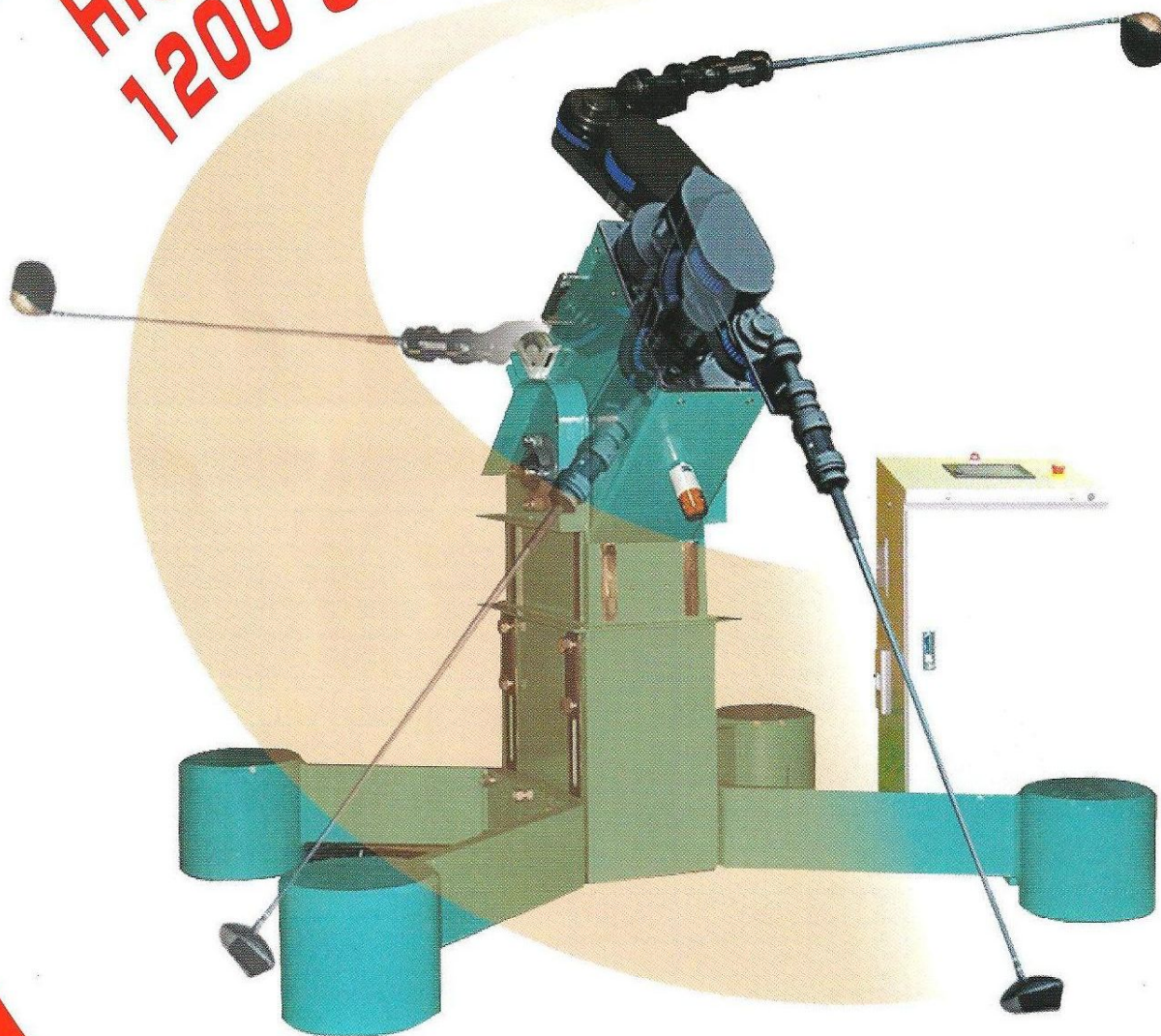


Industry First Touch Panel Control Screen

Miya **ROBO-3DX**

Club Testing and Club Destruction Testing specific Golf ROBO-3DX

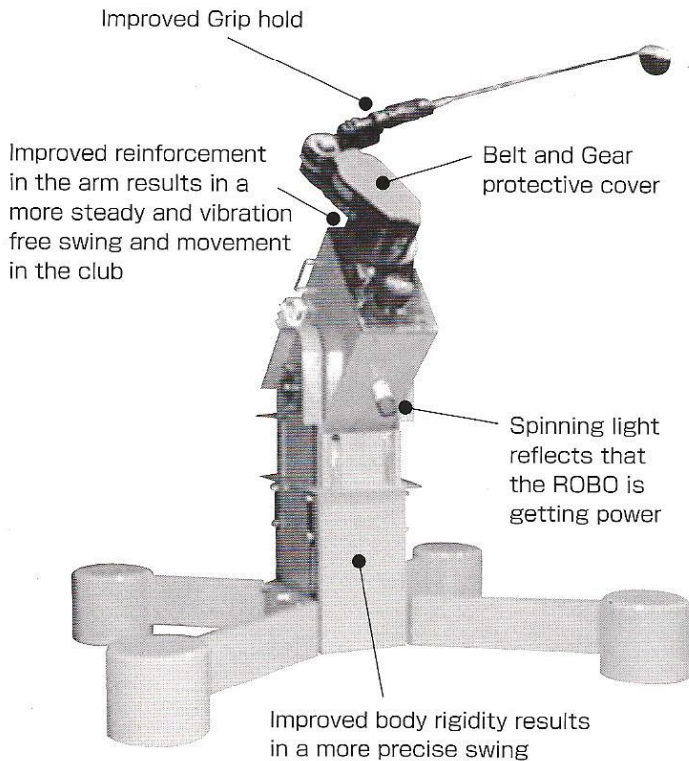
**HIGH SPEED
1200 SHOT/1 HOUR**



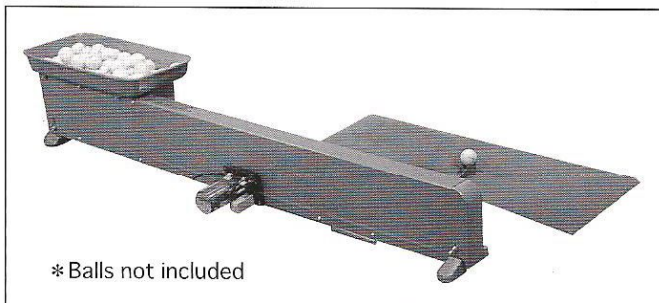
 **MIYAMAE CO.,LTD.**

Industry First Touch Panel Control Screen New and Improved High Durability Machine ROBO-3 DX!!

Various Improved Parts and Functions



Ball Feeder



- ① Ball Feeder Maximum Quantity 70 Balls
- ② Ball Feeder will automatically put the ball on the Tee

Shot ROBO Series

SHOTROBO7

- R & D Specific Robo Machine
- Head Speed up to 65m/s (145 mph)

SHOTROBOIV

- R & D Specific Robo Machine
- Head Speed up to 55m/s (123 mph)

Feature

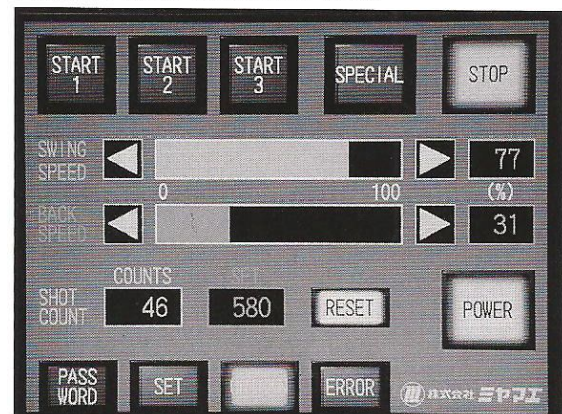
- Improved Control with Touch Panel Screen
- 1200 Shots per Hour (Irons) / About 900 Shots per Hour (Driver)
- Improved Body Stability During Swings
- Improved Club Stability During Swings
- Improved Grip Hold Ability
- Safety Operation (Emergency Stop, Spinning Red Light while operation)

Content Control

*Touch Panel Icon Control

- ① Head Speed Adjustment (1m/s~55m/s) (2 mph~123 mph)
- ② Switch Between Single Shot to Continuous Shots (4 Different Patterns)
- ③ Adjustable Swing Number

Touch Panel Control Panel



Robo-3 Specification

Measurement	Height (1411mm, 55.6in), Length (1606mm, 63.2in), Depth (1285mm, 50.6in)
Weight	Weight 650kg (1433 lb)
Angle Adjustment	Angle Adjustment : 40 degrees
Height Adjustment	Height Adjustment : 150mm (5.9in)

Touch Panel Specification

Voltage	AC200V/220 ±10%
Frequency	50Hz/60Hz
Amperage	35A / Max Amp150A (0.5 sec)
Rating	6kw
Temperature	0~55°C
Protection Feature	Low Voltage, Over Speed, Over Load
Head Speed	Drivers Max 55m/s (123 mph), Iron Max 45m/s (100 mph)

*Dimension: Height (1180mm, 46.5in), Length (600mm, 23.6in), Width (500mm, 19.6in)

*Pegs included

ROBO-3DX

